

AMBIUS

ADLED12W144D
Q5070560

Downlight
12W LED
Warm White

IC-F
ABUTTED &
COVERED



3000K



**950
LUMENS**



**115mm
CUTOUT**



DIMMABLE



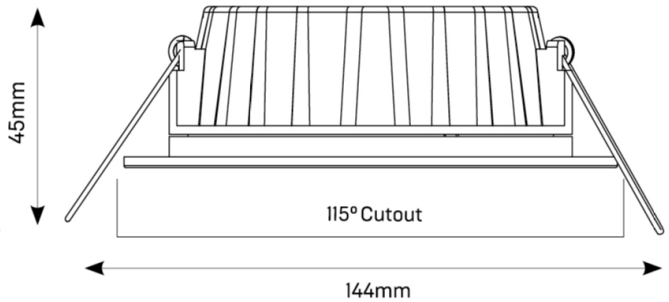
IP44



**TWISTLOCK
CONNECTION**

TWISTLOCK

Allows pre-wiring of the LED driver - simply twist to connect and complete the install.



LUMINAIRE SPECIFICATION:

Model: ADLED12W144D

Colour Temperature: Warm White 3000k

Dimmable: Yes

Lumens: 950

Includes a driver that can be abutted and covered

Rating: IC-F

Wattage: 12W

IP Rating: IP44 parts outside the ceiling

Input Voltage: 220 ~ 240 Volts 50Hz

Installation Diameter: Not less than 115mm

(refer fascia size for maximum coverage for retrofit installations)

PHOTOMETRICS

